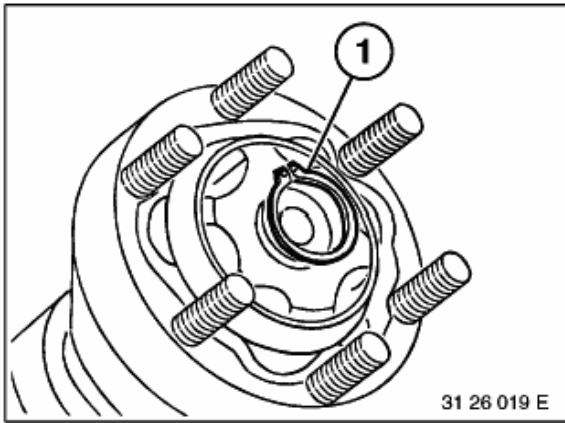
**Removing Joint:**

Remove and install complete propeller shaft,
refer to 26 11 000

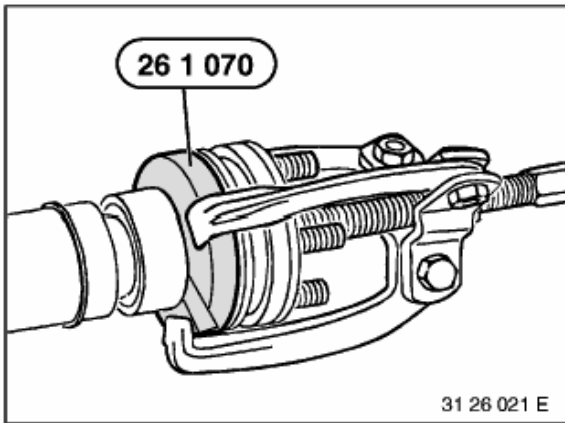
Remove hose clamp.



Lift out circlip (1).

Installation note:

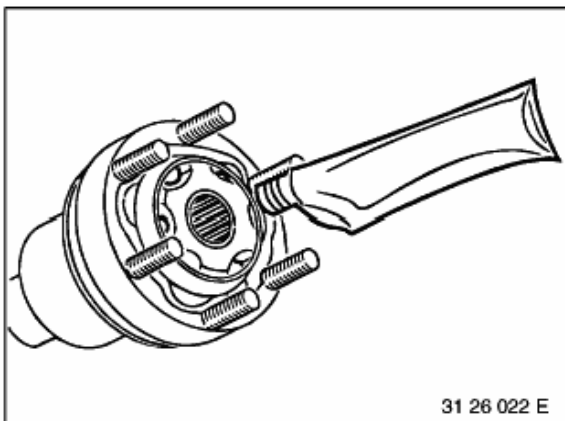
Replace circlip.



Push back boot.

Apply Special Tool 26 1 070.

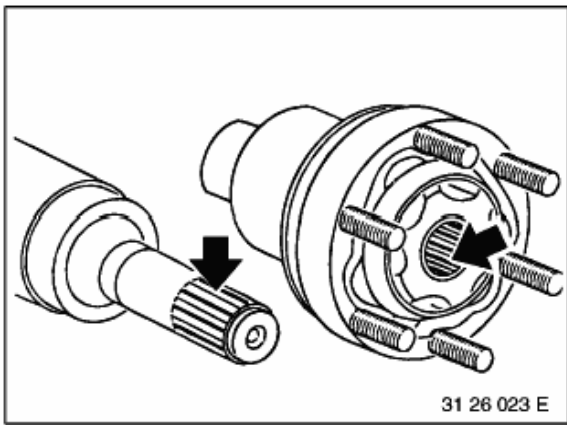
Pull off constant-velocity joint using a standard puller.

**Installing joint:**

Fill new constant-velocity joint with 80 grams of grease (refer to
BMW Parts Service).

Note:

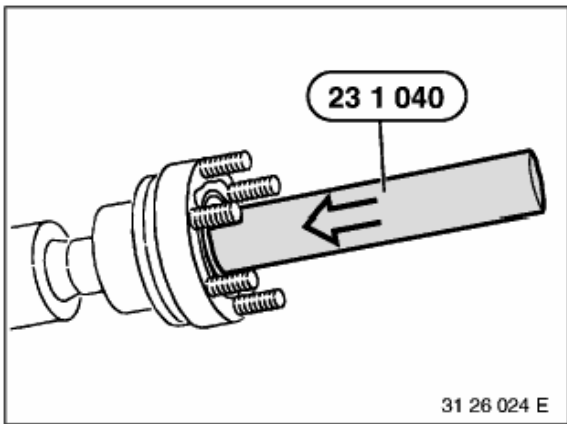
Do not cant inner race and cage as balls would fall out.



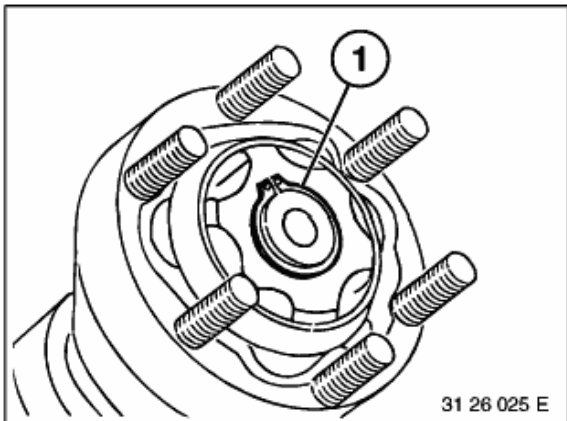
Clean splines to free them of grease and coat with bolt cement (refer to BMW Parts Service).

Caution!

Keep bolt cement out of ball grooves.



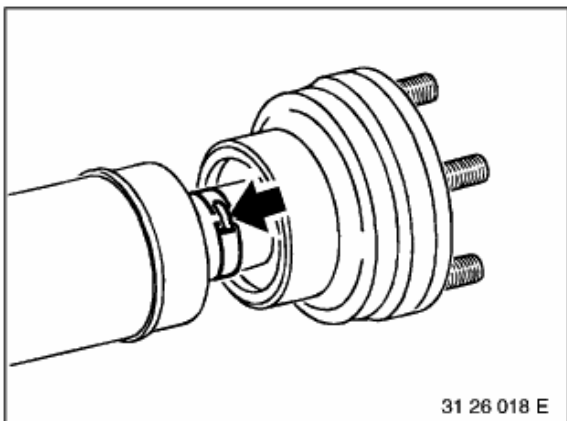
Drive constant-velocity joint onto propeller shaft using Special Tool 23 1 040.



Install circlip (1).

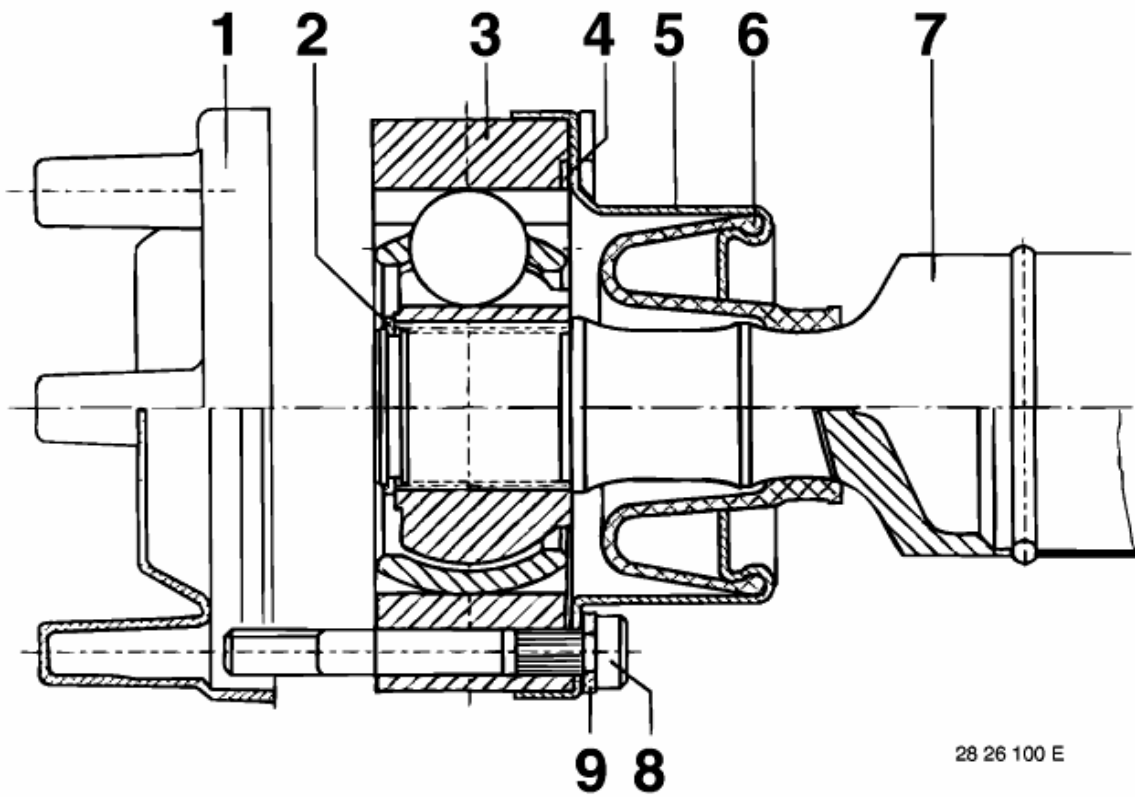
Note:

Ensure correct seating and a tight fit.



Pull boot onto propeller shaft.
Install hose clamp on boot and tighten.

Assembly of Constant-Velocity Joint



28 26 100 E

- 1 Transporting cap
- 2 Retaining ring
- 3 Constant-velocity joint
- 4 Seal
- 5 End cover

- 6 Boot
- 7 Propeller shaft
- 8 Bolt
- 9 Washer